












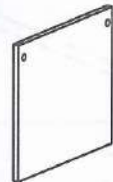
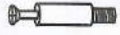







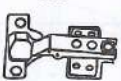




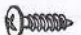
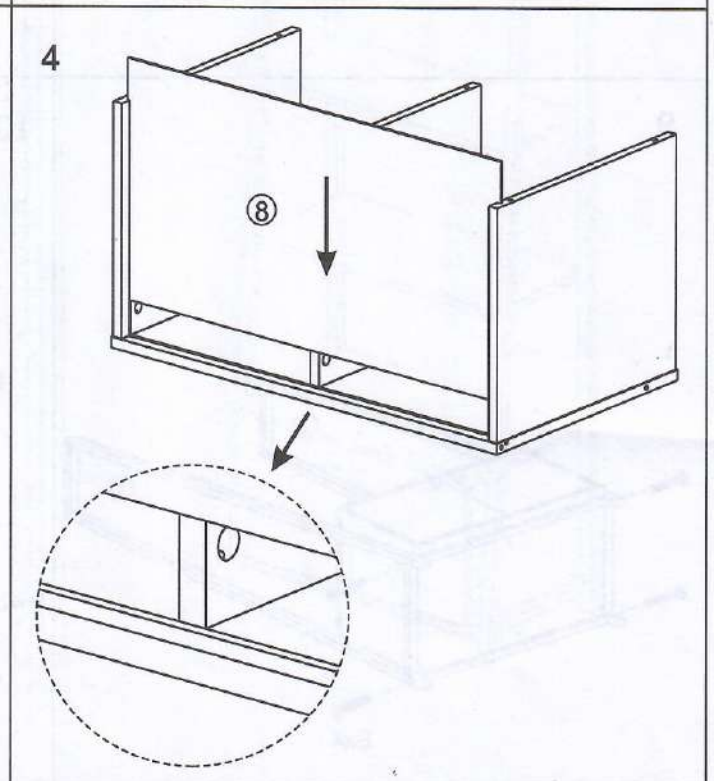
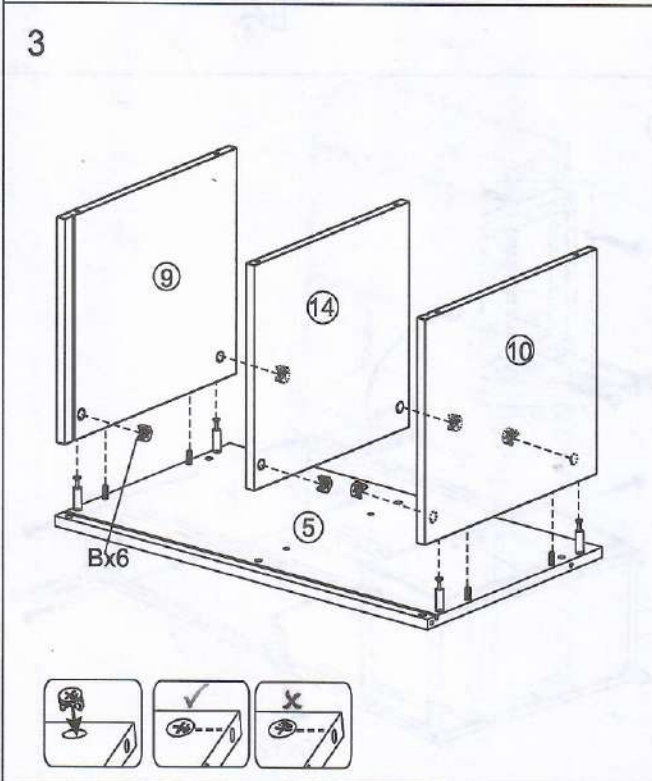
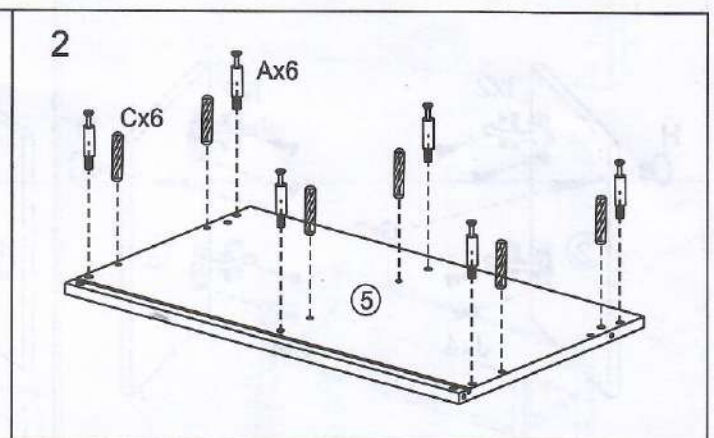
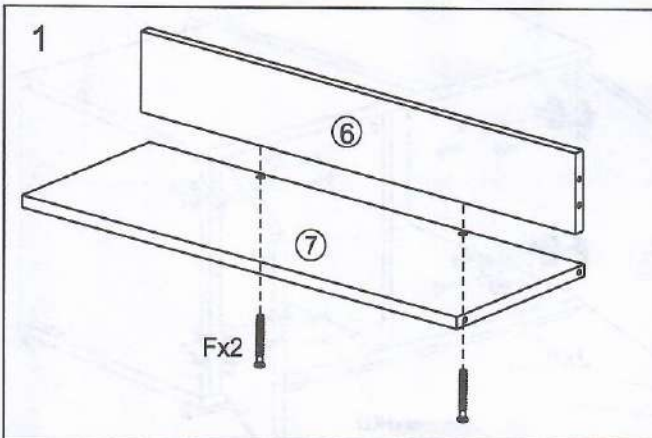
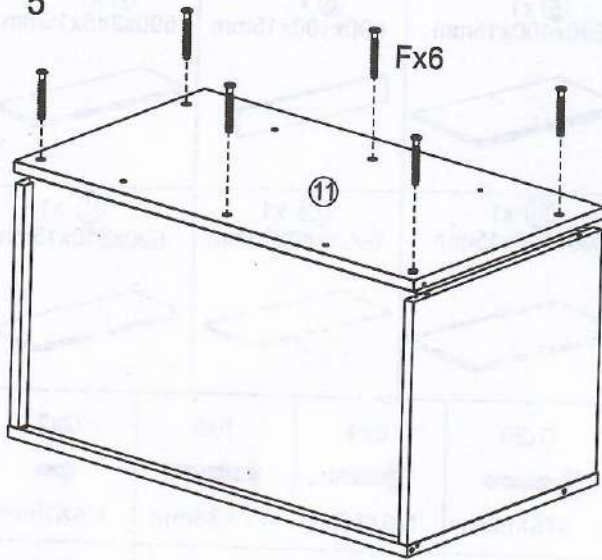


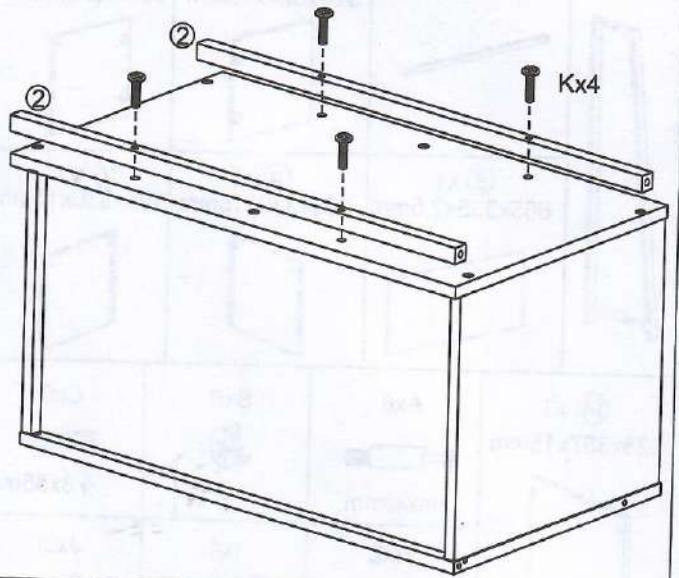
① x2 	② x2 	③ x1 324x324x15mm 	④ x1 324x324x15mm 	⑤ x1 690x400x15mm 	⑥ x1 690x100x15mm 	⑦ x1 690x245x15mm 	
⑧ x1 665x335x2.5mm 	⑨ x1 395x330x15mm 	⑩ x1 395x330x15mm 	⑪ x1 690x400x15mm 	⑫ x1 690x280x15mm 	⑬ x1 690x310x15mm 		
⑭ x1 328x357x15mm 	Ax6  M6X40mm	Bx6 	Cx6  φ 8x35mm	Dx20  ST5X60mm	Ex4  M6X50mm	Fx8  φ 7X38mm	Gx2  M4X18mm
	Hx2 	Ix4 	Jx26  ST3X12mm	Kx4  M6X30mm	Rx1 	Mx1 	Nx1  ST4X30mm



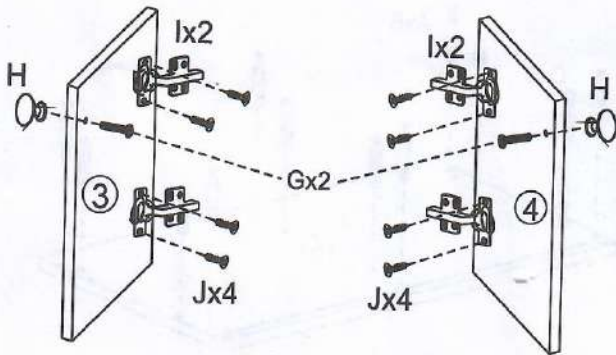
5



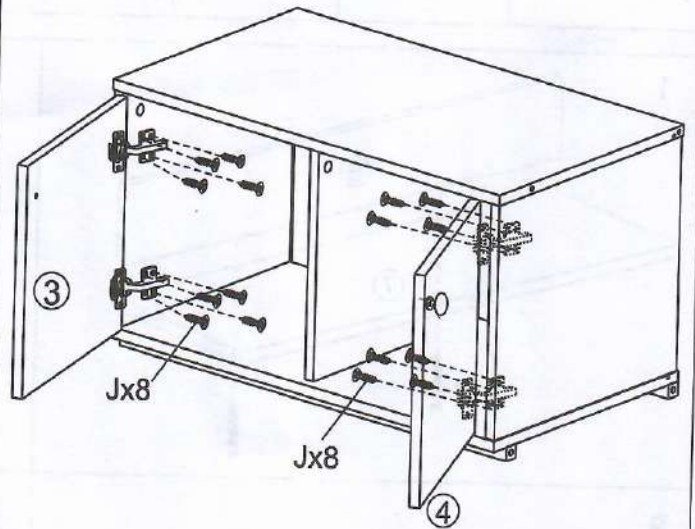
6



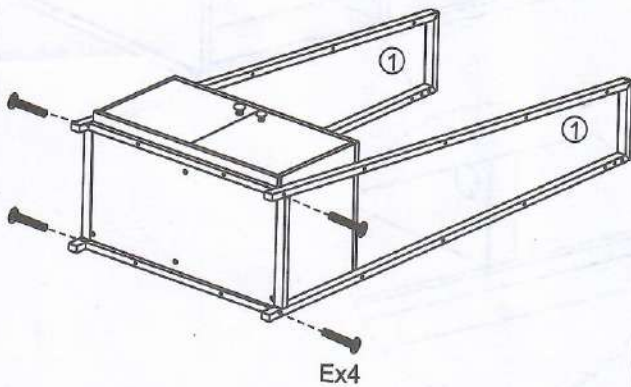
7



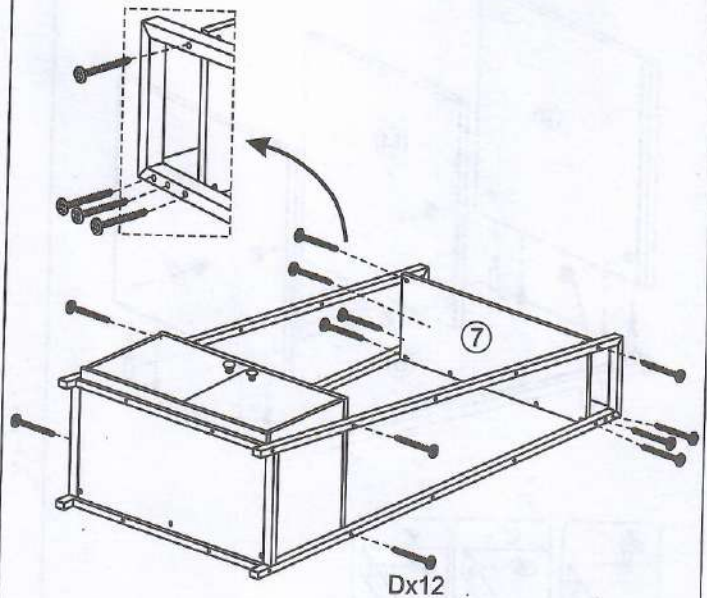
8



9

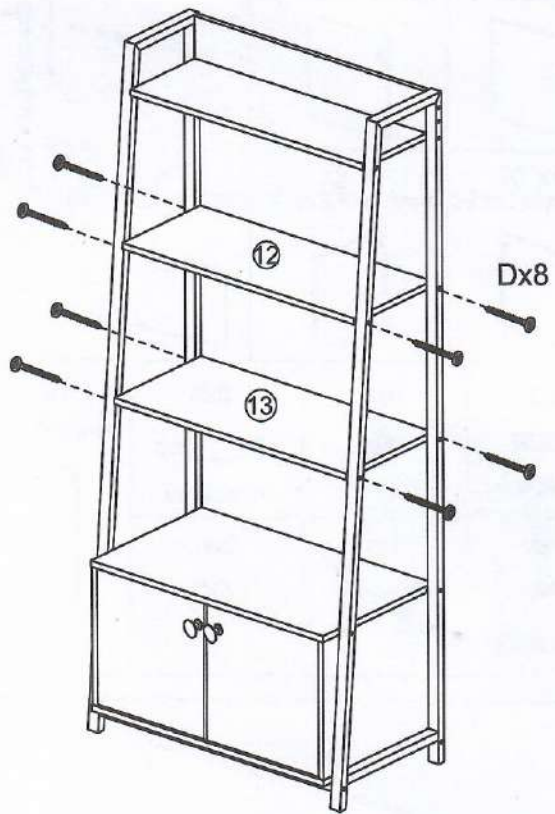


10

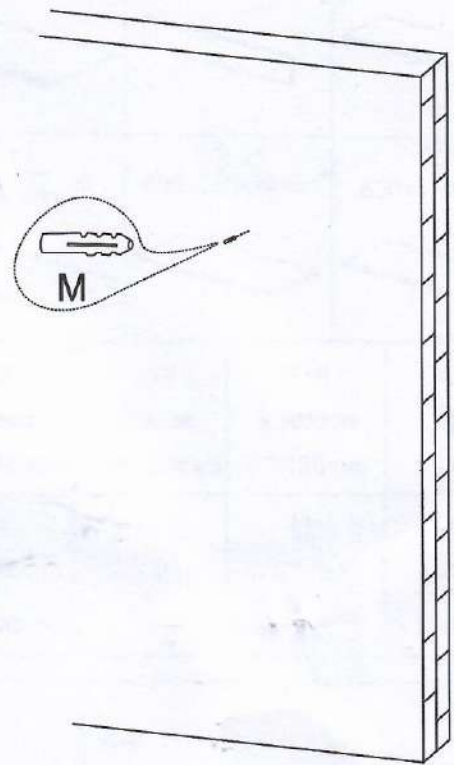




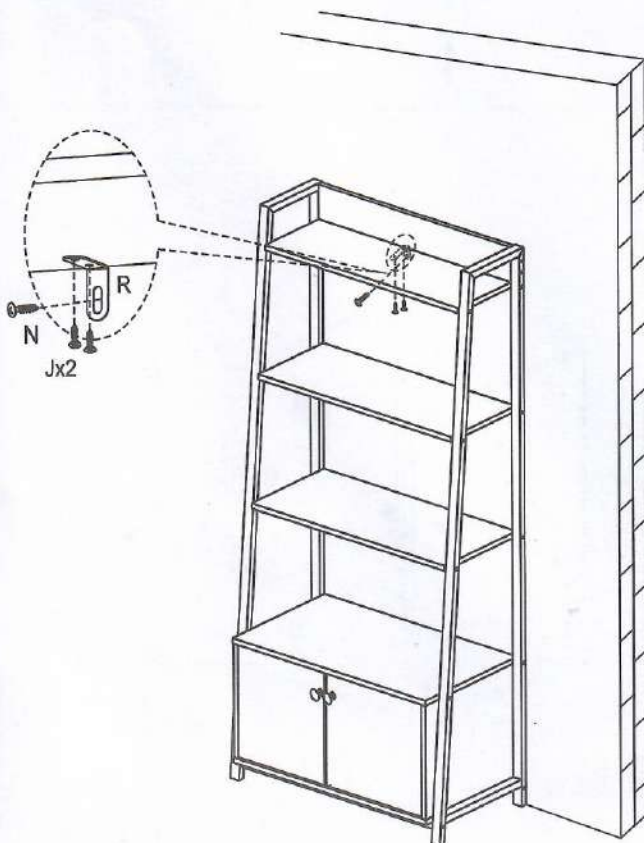
11



12



13



14

